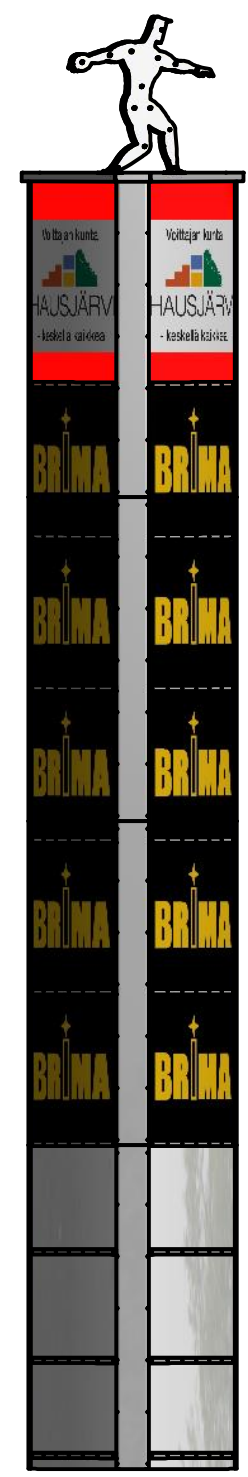
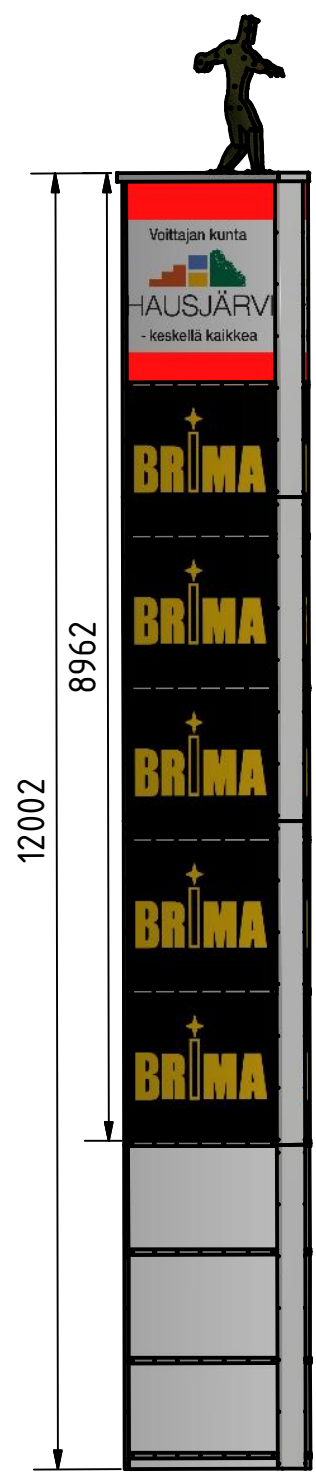


6 5 4 3 2 1

D

D

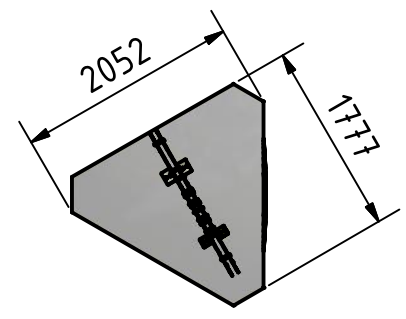


C

C

B

B



A

A

				Date	Name	
				Drawn	26.1.2017	Unto
				Checked		
				Standard		
				Brima3R_12m		1
						A3
State	Changes	Date	Name			

6 5 4 3 2 1